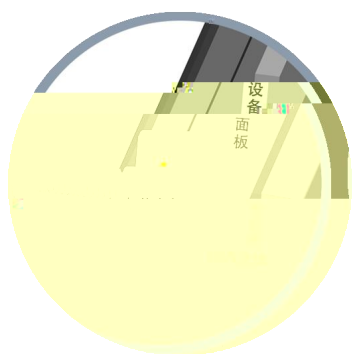
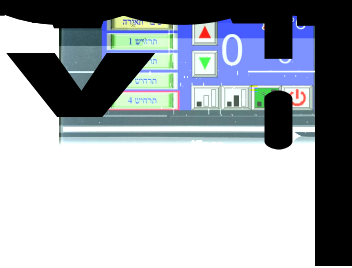


1.1





Operating temperature: GL043/GL043E HMI can work stably in most industrial environments that the temperature between 32°F to 122°F (0~50°C).

NEMA rating: This Series HMI frontpanel is NEMA 1 rated.

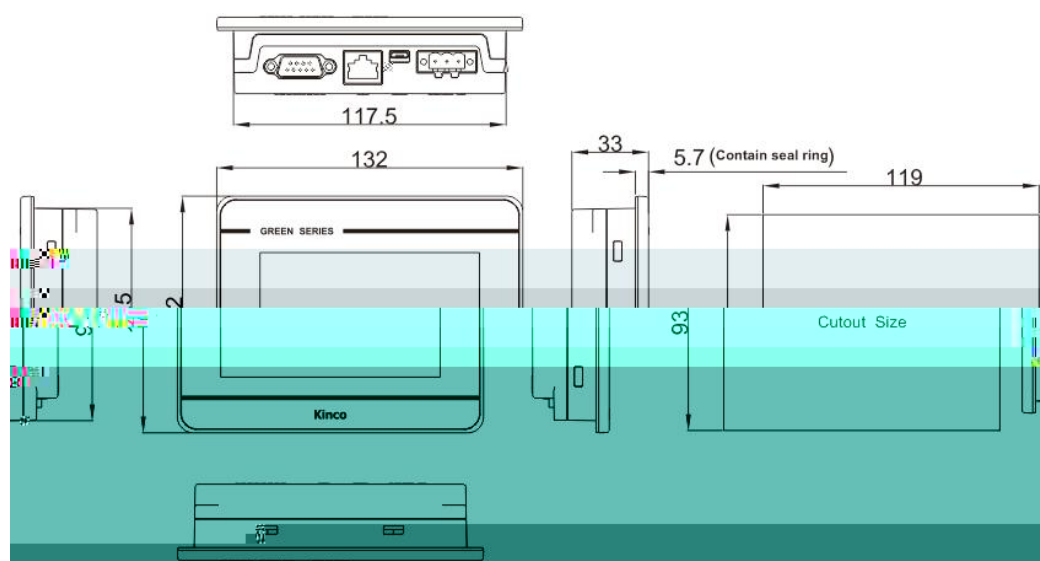
Input voltage:DC10 V DC28V.

Particularly note that there must be enough distance between this product and converters or switch mode power supply. Make sure that the input and output cables of that kind equipment are shielded. If cable and the shielding network is connected with the ground.

Make sure that the DC power and AC power is isolated.

Do not use common power supply for the actual load or input circuit of the controller.

An Internal fuse will prevent damage for over voltage condition, however it isn't guaranteed the internal electronic components are not damaged.



The product is put into the wall-mounted hole of the machine control box's panel, and the mounting screws are inserted into the fixing holes around the HMI shell from the back of the control box's panel.

Recommended lock torque: 0.5N.m (to waterproof effect and avoid shell deformation)



Pr

Before connecting the power, please make sure all local